

COMMON FACILITY CENTER,
 GOP, PURI DISTRICT,
 ODISHA.

DRAWING TITLE:

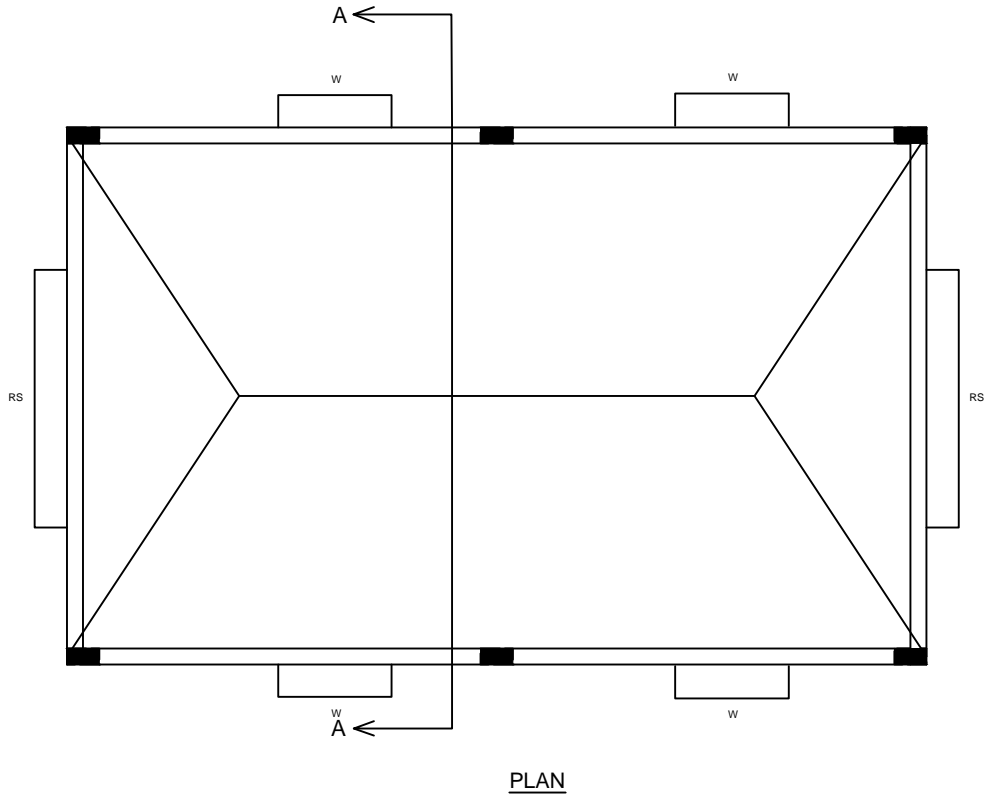
LAYOUT OF RAW MATERIAL
 BANK

LAND AREA - 11 CENTS

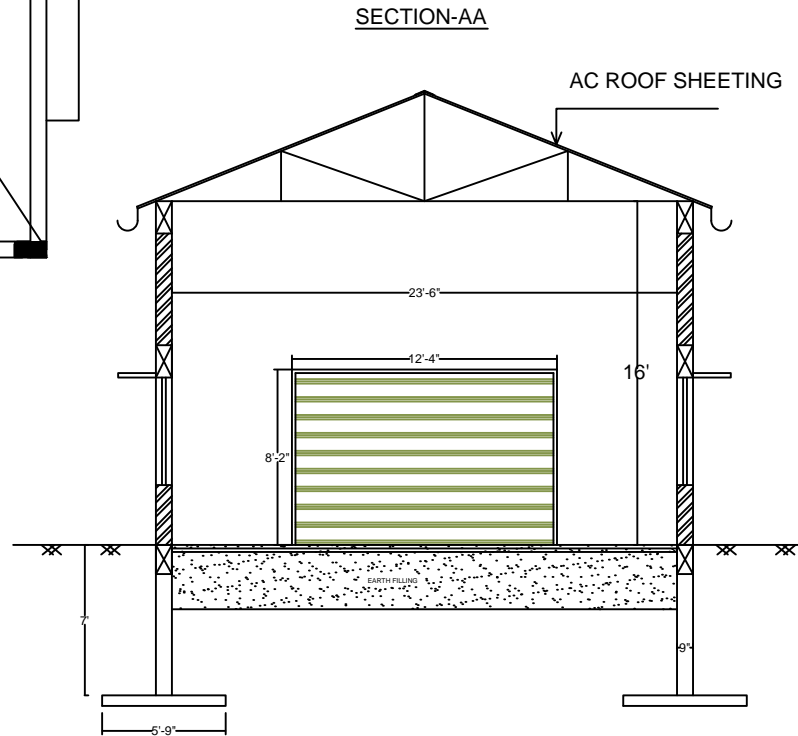
DRAWING NO:	RAW MATERIAL BANK		
ARCHITECT		DRAWN BY	KISHORE
SCALE	NTS.	CHECKED BY	NSC BABU
DATE	21-05-2016	APPROVED	

APITCO 8th Floor, Parisrama Bhavanam,
 Basheerbagh, Hyderabad-
 500004, INDIA.
LIMITED Tel : +91-40-23237333, 23243611
 Engineering Growth e-mail : hyd1_apitco@sancharnet.in
 website : www.apitco.org

RAW MATERIAL SHED - (40' X 25')



PLAN

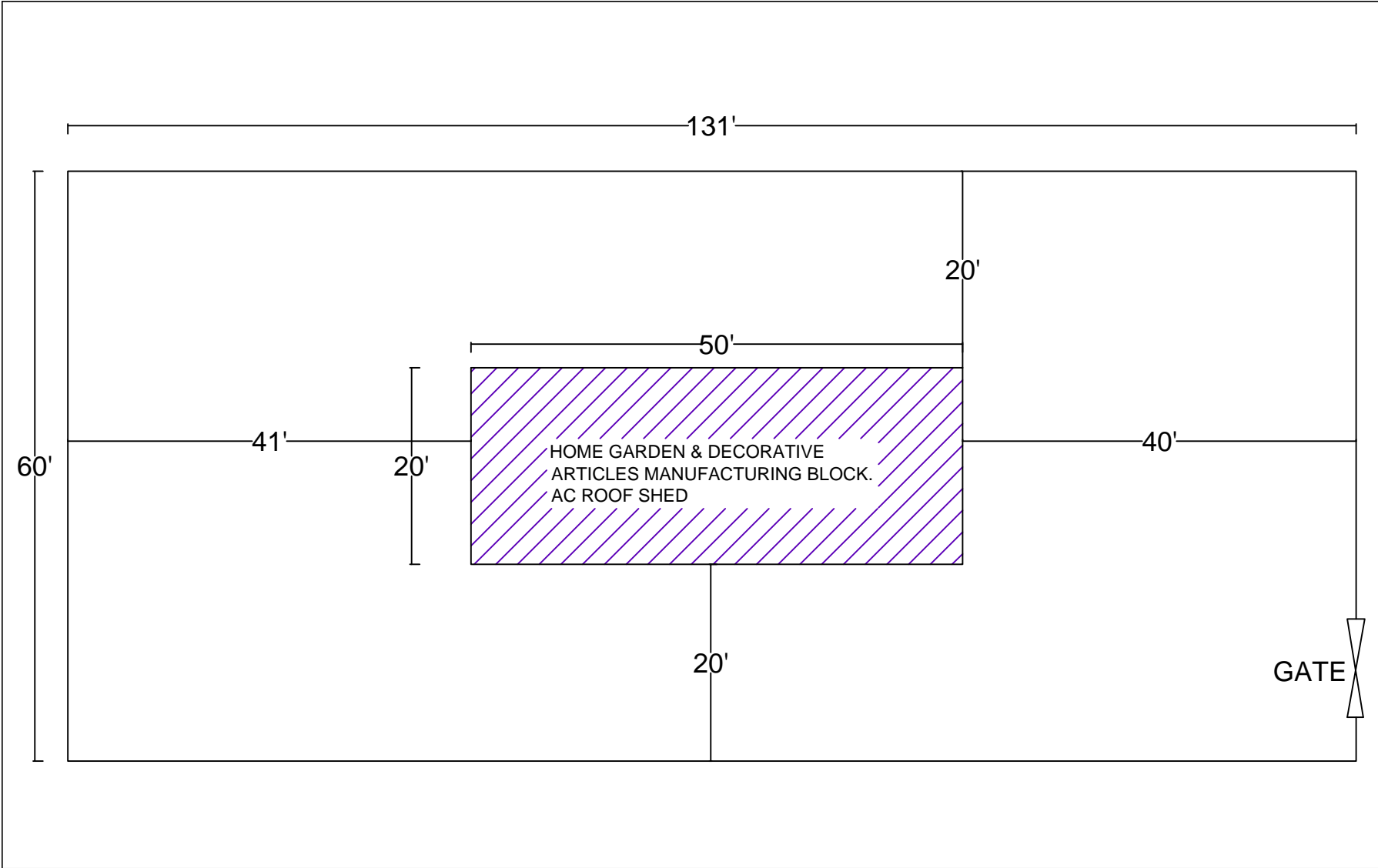


COMMON FACILITY CENTER
GOP, PURI DISTRICT,
ODISHA.

DRAWING TITLE:
PLAN & SECTION OF RAW
MATERIAL BANK (AC ROOF
SHED)

DRAWING NO.	RAW MATERIAL BANK		
ARCHITECT		DRAWN BY	KISHORE
SCALE	NTS.	CHECKED BY	NSC BABU
DATE	21-05-2016	APPROVED	

APITCO 8th Floor, Parisrama Bhavanam,
Basheerbagh, Hyderabad-
500004, INDIA.
LIMITED Tel : +91-40-23237333, 23243611
Engineering Growth e-mail : hyd1_apitco@sancharnet.in
website : www.apitco.org



CLIENT :
 COMMON FACILITY CENTER,
 GOP, PURI DISTRICT,
 ODISHA.

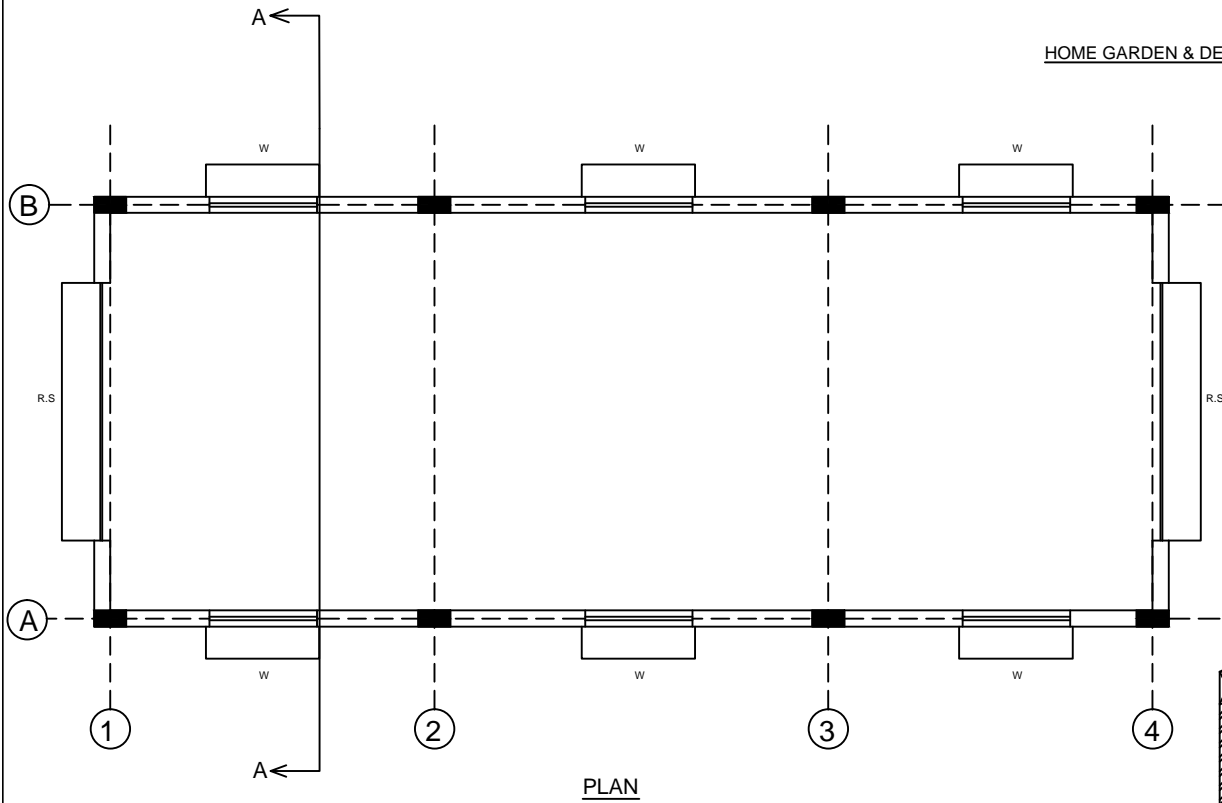
DRAWING TITLE:
 LAYOUT OF HOME GARDEN &
 DECORATIVE ARTICLES
 MANUFACTURING BLOCK.

LAND AREA - 18 CENTS

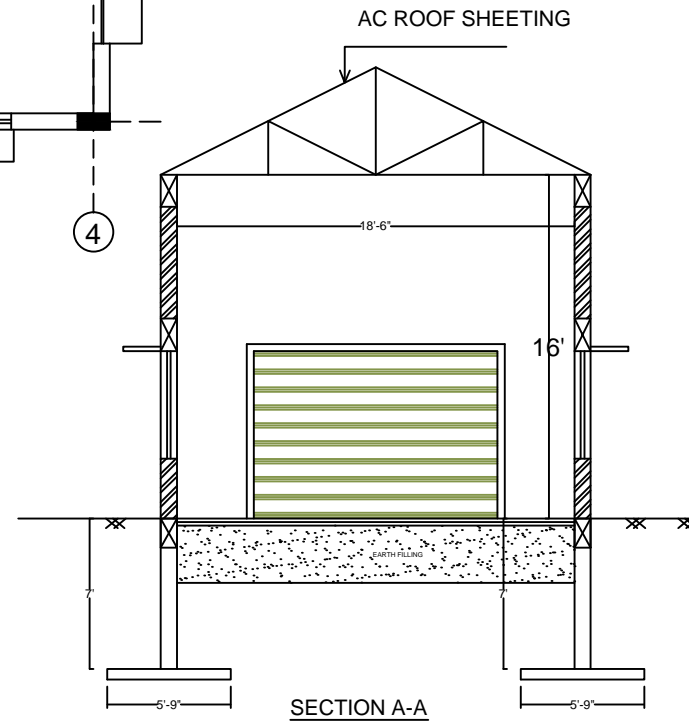
DRAWING NO:	RAW MATERIAL BANK		
ARCHITECT		DRAWN BY	KISHORE
SCALE	NTS.	CHECKED BY	NSC BABU
DATE	21-05-2016	APPROVED	

APITCO 8th Floor, Parisrama Bhavanam,
 Basheerbagh, Hyderabad-
 500004, INDIA.
 Engineering Growth Tel : +91-40-23237333, 23243611
 e-mail : hyd1_apitco@sancharnet.in
 website : www.apitco.org

HOME GARDEN & DECORATIVE ARTICLES MANUFACTURING SHED (50' X 20')



PLAN



SECTION A-A

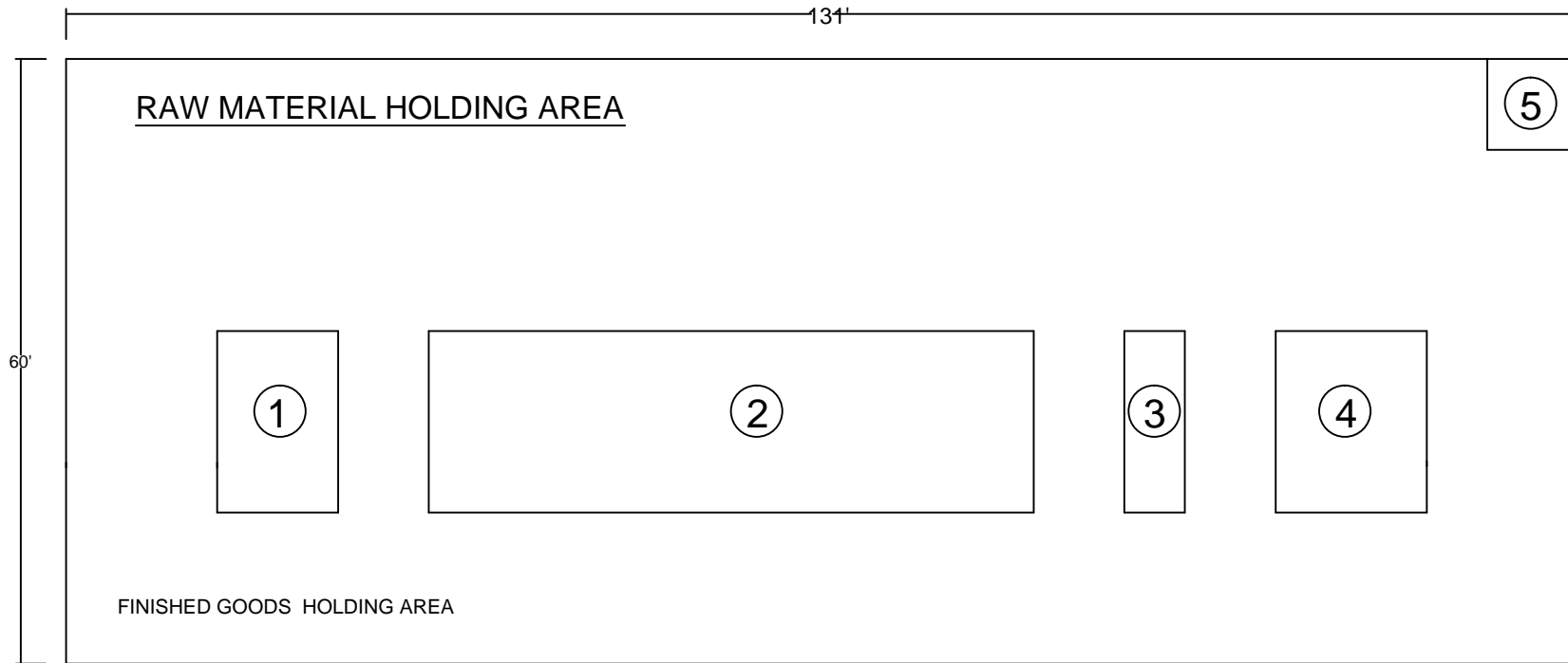
COMMON FACILITY CENTER,
GOP,PURI DISTRICT,
ODISHA.

DRAWING TITLE:
HOME GARDEN & DECORATIVE
ARTICLES MANUFACTURING
SHED PLAN & SECTION.

DRAWING NO.	RAW MATERIAL BANK		
ARCHITECT		DRAWN BY	KISHORE
SCALE	NTS.	CHECKED BY	NSC BABU
DATE	21-05-2016	APPROVED	

APITCO 8th Floor, Parisrama Bhavanam,
Basheerbagh, Hyderabad-
500004, INDIA.
LIMITED Engineering Growth
Tel : +91-40-23237333, 23243611
e-mail : hyd1_apitco@sancharnet.in
website : www.apitco.org

HOME GARDEN & DECORATIVE ARTICLES MANUFACTURING MACHINERY LAYOUT



① WILLOWING m/c

④ HOT MOULD & PRESS

② FELT m/c

⑤ LATEX MILL

③ SHEARING m/c

COMMON FACILITY CENTER
 , GOP,PURI DISTRICT,
 ODISHA.

DRAWING TITLE:

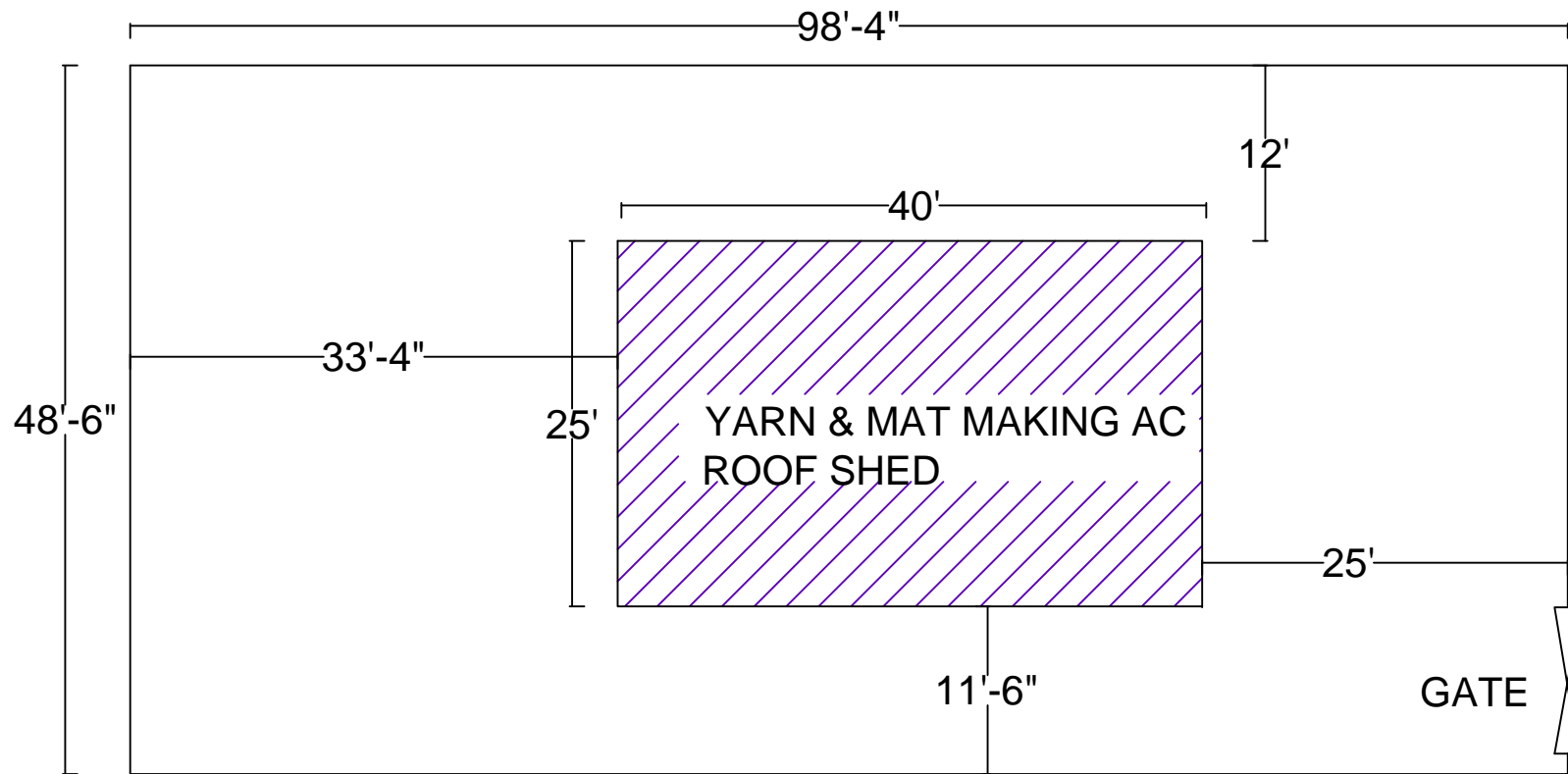
HOME GARDEN & DECORATIVE
 ARTICLES MANUFACTURING
 MACHINERY LAYOUT.

LAND AREA - 18 CENTS

DRAWING NO:	RAW MATERIAL BANK		
ARCHITECT		DRAWN BY	KISHORE
SCALE	NTS.	CHECKED BY	NSC BABU
DATE	21-05-2016	APPROVED	

APITCO 8th Floor, Parisrama Bhavanam,
 Basheerbagh, hyderabad-
 500004, INDIA.
 L I M I T E D Tel : +91-40-23237333, 23243611
 Engineering Growth e-mail : hyd1_apitco@sancharnet.in
 website : www.apitco.org

COMMON FACILITY CENTER
 GOP, PURI DISTRICT,
 ODISHA.



DRAWING TITLE:

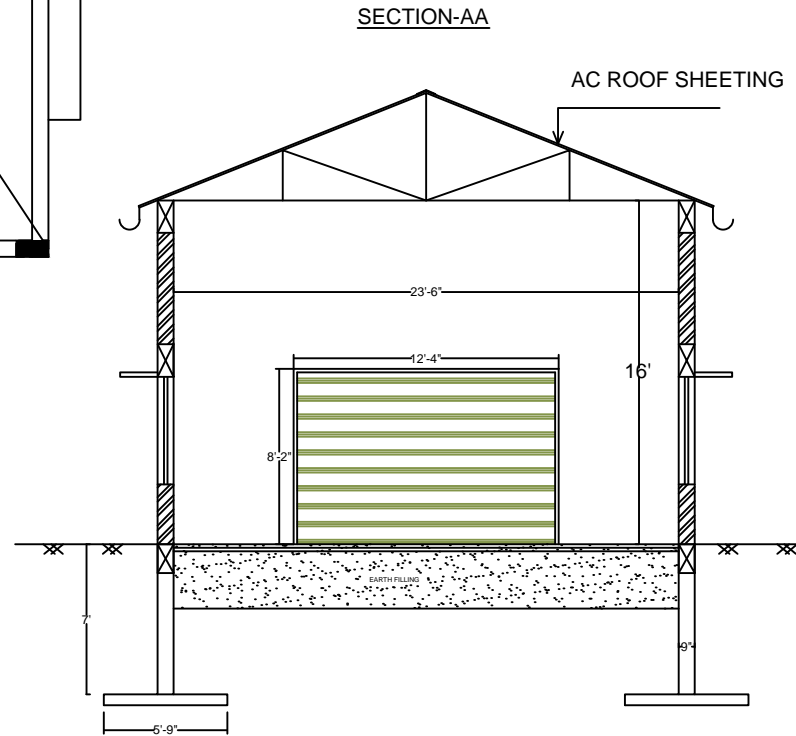
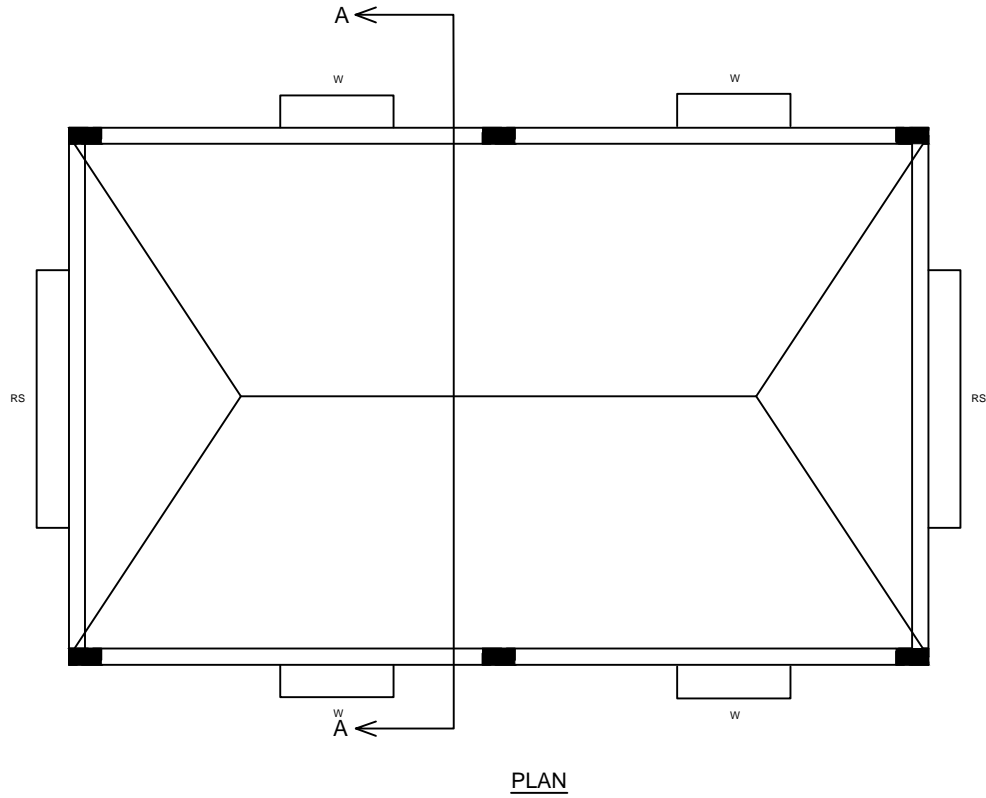
LAYOUT OF YARN & MAT
 MAKING BLOCK.

LAND AREA - 11 CENTS

DRAWING NO.	RAW MATERIAL BANK		
ARCHITECT		DRAWN BY	KISHORE
SCALE	NTS.	CHECKED BY	NSC BABU
DATE	21-05-2016	APPROVED	

APITCO 8th Floor, Parisrama Bhavanam,
 Basheerbagh, Hyderabad-
 500004, INDIA.
 LIMITED Tel : +91-40-23237333, 23243611
 Engineering Growth e-mail : hyd1_apitco@sancharnet.in
 website : www.apitco.org

YARN MAT MAKING SHED - (40' X 25')



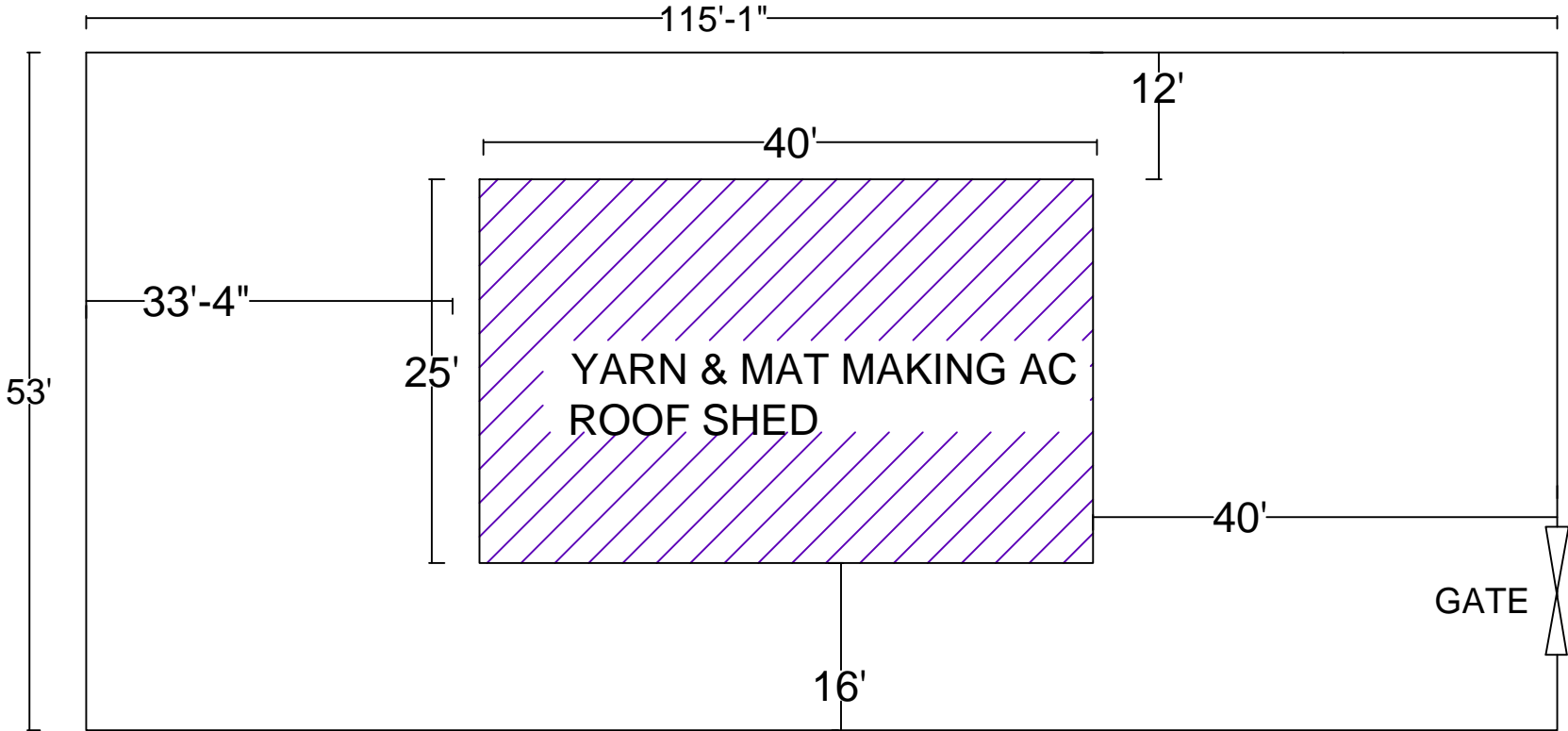
COMMON FACILITY CENTER
GOP, PURI DISTRICT,
ODISHA.

DRAWING TITLE:
PLAN & SECTION OF YARN &
MAT MAKING
AC ROOF SHED

DRAWING NO.	RAW MATERIAL BANK		
ARCHITECT		DRAWN BY	KISHORE
SCALE	NTS.	CHECKED BY	NSC BABU
DATE	21-05-2016	APPROVED	

APITCO 8th Floor, Parisrama Bhavanam,
Basheerbagh, Hyderabad-
500004, INDIA.
LIMITED Tel : +91-40-23237333, 23243611
Engineering Growth e-mail : hyd1_apitco@sancharnet.in
website : www.apitco.org

COMMON FACILITY
 CENTER, GOP, PURI
 DISTRICT,
 ODISHA.



DRAWING TITLE:
 LAYOUT OF YARN & MAT
 MAKING BLOCK.

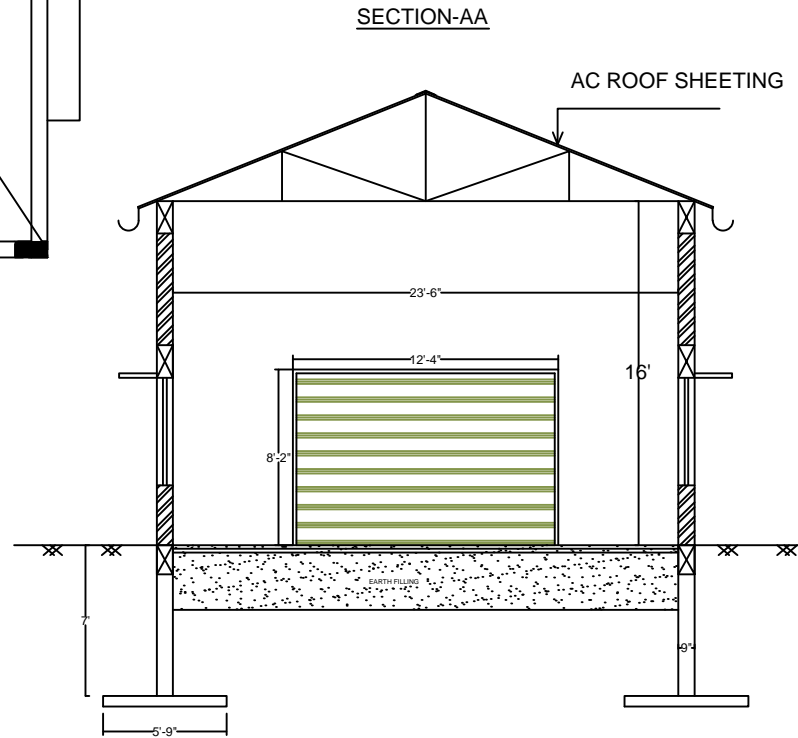
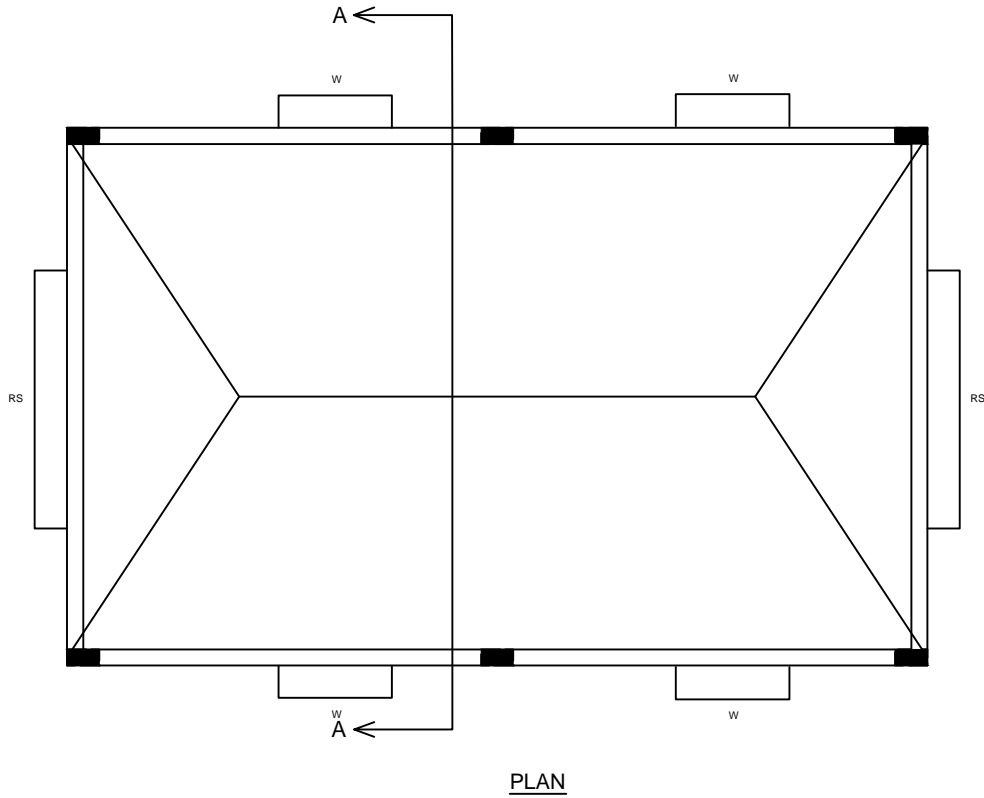
LAND AREA - 14 CENTS

DRAWING NO:	RAW MATERIAL BANK		
ARCHITECT		DRAWN BY	KISHORE
SCALE	NTS.	CHECKED BY	NSC BABU
DATE	21-05-2016	APPROVED	

APITCO 8th Floor, Parisrama Bhavanam,
 Basheerbagh, hyderabad-
 500004, INDIA.
 Engineering Growth **L I M I T E D** Tel : +91-40-23237333, 23243611
 e-mail : hyd_l_apitco@sancharnet.in
 website : www.apitco.org

YARN MAT MAKING SHED - (40' X 25')

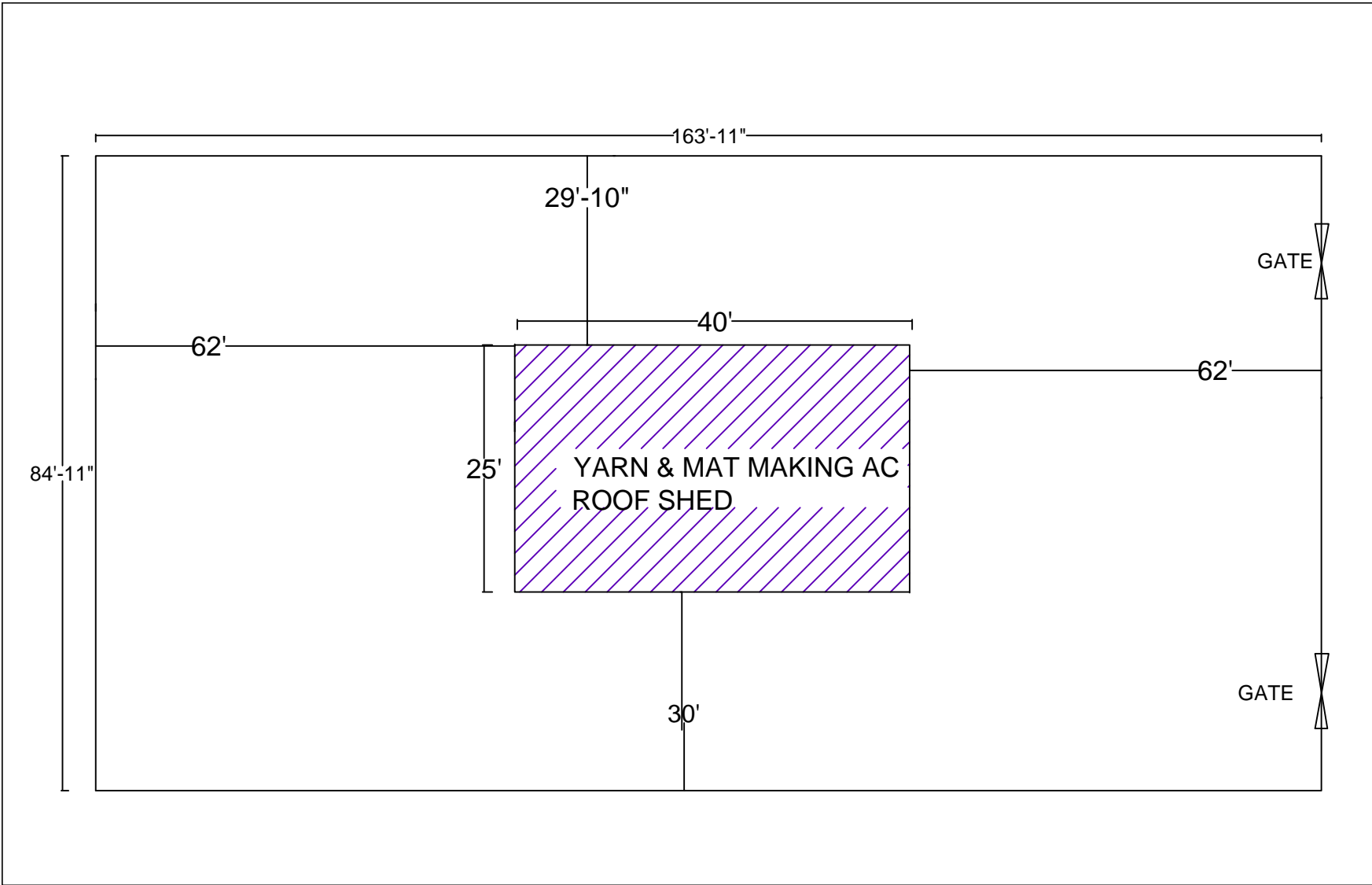
COMMON FACILITY CENTER
GOP, PURI DISTRICT,
ODISHA.



DRAWING TITLE:
PLAN & SECTION OF YARN &
MAT MAKING
AC ROOF SHED

DRAWING NO:	RAW MATERIAL BANK		
ARCHITECT		DRAWN BY	KISHORE
SCALE	NTS	CHECKED BY	NSC BABU
DATE	21-05-2016	APPROVED	

APITCO 8th Floor, Parisrama Bhavanam,
Basheerbagh, Hyderabad-
500004, INDIA.
LIMITED Engineering Growth
Tel : +91-40-23237333, 23243611
e-mail : hyd1_apitco@sancharnet.in
website : www.apitco.org



COMMON FACILITY
 CENTER, KAKATPUR, PURI
 DISTRICT,
 ODISHA.

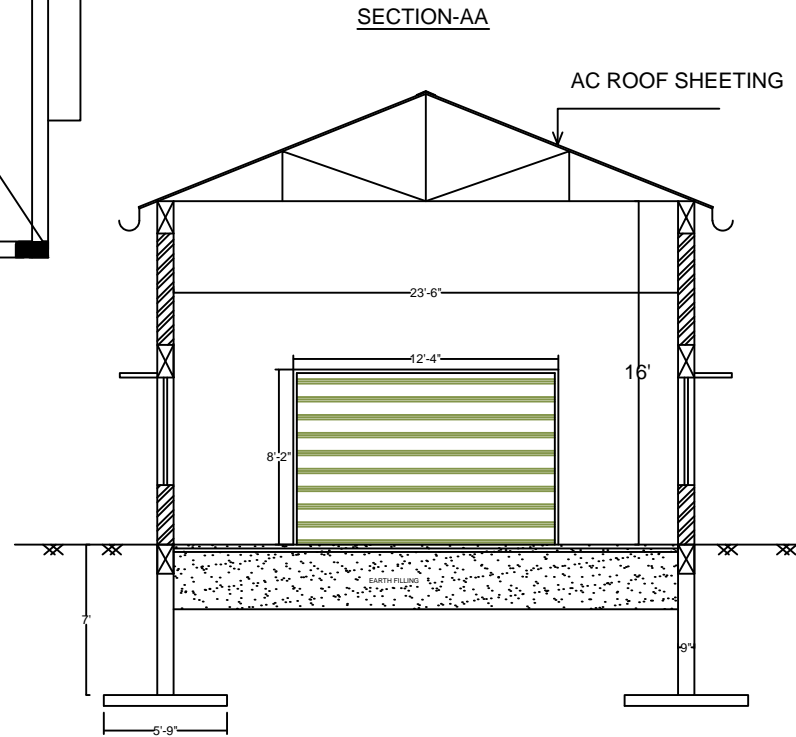
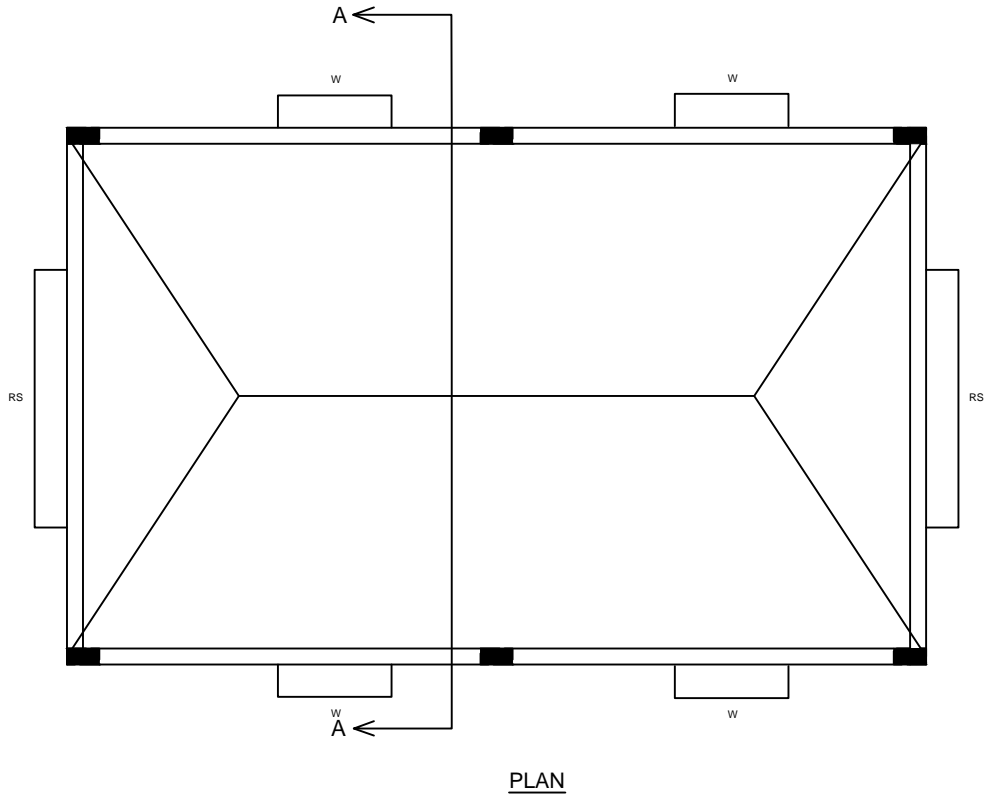
DRAWING TITLE:
 LAYOUT OF YARN & MAT
 MAKING BLOCK.

LAND AREA - 32 CENTS

DRAWING NO:	RAW MATERIAL BANK		
ARCHITECT		DRAWN BY	KISHORE
SCALE	NTS.	CHECKED BY	NSC BABU
DATE	21-05-2016	APPROVED	

APITCO 8th Floor, Parisrama Bhavanam,
 Basheerbagh, hyderabad-
 500004, INDIA.
 Engineering Growth **LIMITED** Tel : +91-40-23237333, 23243611
 e-mail : hyd1_apitco@sancharnet.in
 website : www.apitco.org

YARN MAT MAKING SHED - (40' X 25')



COMMON FACILITY CENTER
KAKATPUR, PURI DISTRICT,
ODISHA.

DRAWING TITLE:
PLAN & SECTION OF YARN &
MAT MAKING
AC ROOF SHED

DRAWING NO.	RAW MATERIAL BANK		
ARCHITECT		DRAWN BY	KISHORE
SCALE	NTS.	CHECKED BY	NSC BABU
DATE	21-05-2016	APPROVED	

APITCO 8th Floor, Parisrama Bhavanam,
Basheerbagh, Hyderabad-
500004, INDIA.
LIMITED Engineering Growth Tel : +91-40-23237333, 23243611
e-mail : hyd1_apitco@sancharnet.in
website : www.apitco.org